

Compact Filter – ECO Pak



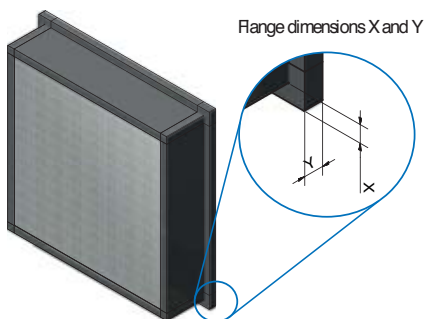
This production line serves as pre- or main-filter for fine dust in air-conditioning and ventilation systems. The filter can be installed where pocket or compact filters won't fit due to space limitations. Also ECO Pak offer a much higher initial efficiency (up to +25%) than common bag filters. Thermoplastic threads are used as spacers between the densely packed media folds to achieve even spacing. The frames are made from polystyrene. Therefore the filter can be completely incinerated, it is easy to dispose and corrosion free.

The ruggedized design guarantees a high stability and durability. The media is water-resistant, and may thus be employed with highly humid airstreams – a temporarily pressure rise is typical. With a decreasing humidity level the resistance will also decline. Optionally the filter can be fitted with fully synthetic filter media, offering even more stability and moisture inertness. ECO Pak can be installed on the clean air side or the internal side. Because of their reduced installation depth ECO Pak are ideal space-savers in particular within newly assembled units.

Type:	ECO Pak 65	ECO Pak 85	ECO Pak 95
Class EN 779	M6	F7	F9
Efficiency EN 779 [%]	> 65 %	> 85 %	> 95 %
Initial-ΔP [Pa] at nominal air flow	90	110	150
Max. temp. [°C]	65°	65°	65°

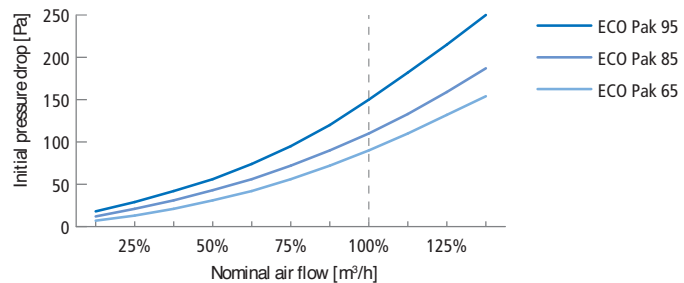
Width	Dimensions [mm]		Nominal air flow [m³/h]
	Height	Depth	
592	592	78	2150
490	592	78	1730
287	592	78	1050
287	287	78	500
592	592	100	2960
490	592	100	2380
287	592	100	1450
287	287	100	700
592	592	150	3400
490	592	150	2750
287	592	150	1700
287	287	150	850

Please ask for other desired dimensions and designs.



Frame depth [mm] (profile type)	X [mm]	Y [mm]
78 / 150	20	22
100	19	25
150 ⁽¹⁾ / 292 ⁽¹⁾	20	21

⁽¹⁾ The Framedepth can be varied for these special profile types only.



Frame	polystyrene extruded profile, with header flange
Operational conditions	max. rel. h. 100%
Spacers	thermoplastic (mini pleat)
Filtrated	<ul style="list-style-type: none"> high quality glass fiber paper (water resistant) optional: fully synthetic (more rigid, higher moisture resistance)
Combustible	Yes
Options	<ul style="list-style-type: none"> foamed gasket on the header flange protection screen (single or both sides) customer specific specialities